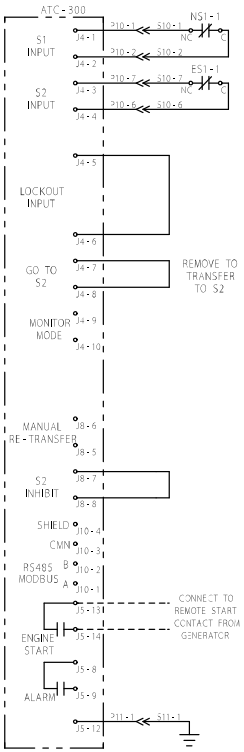
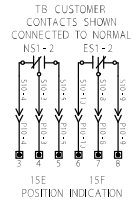
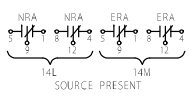
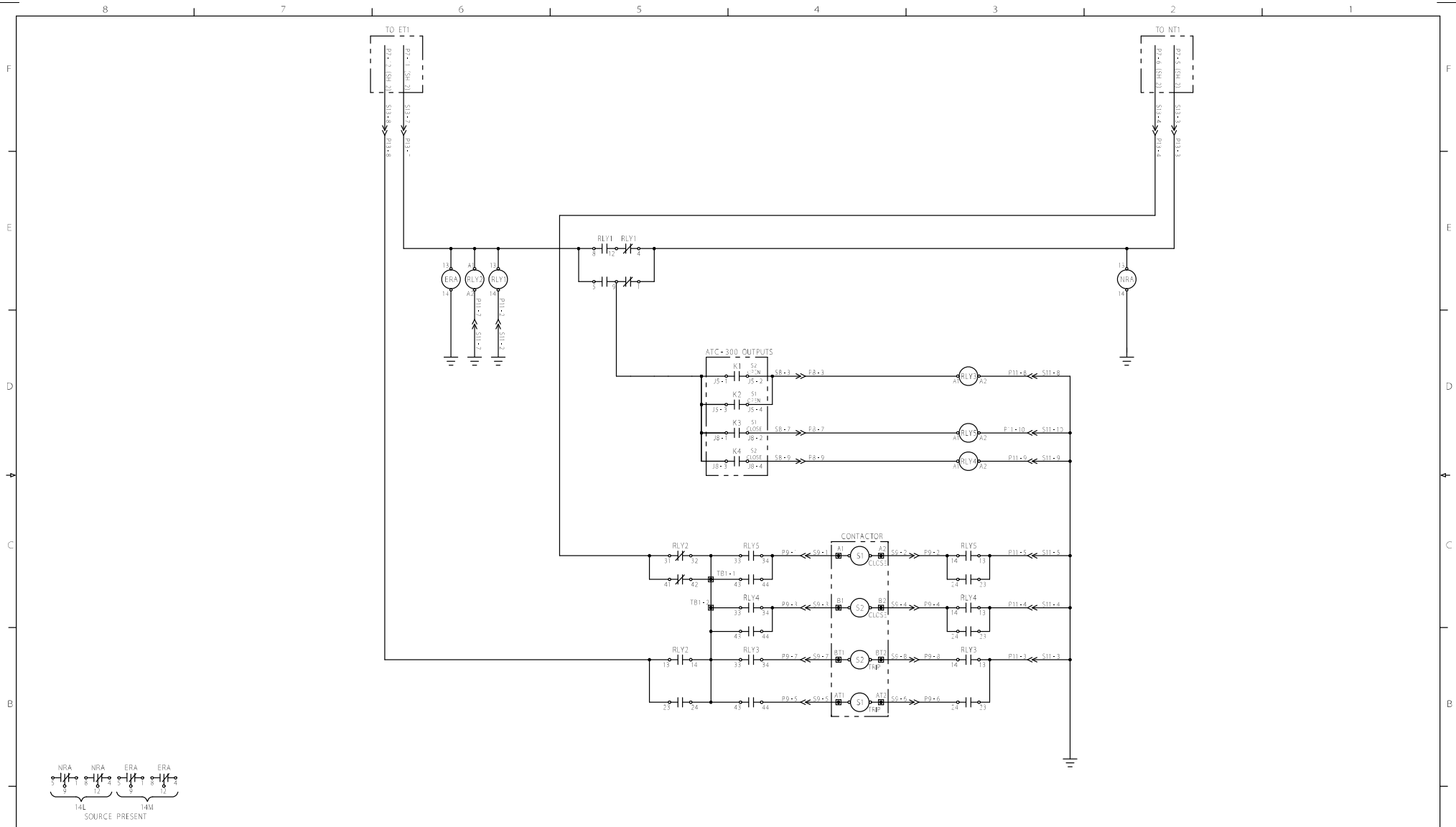


- GNFS - GROUND FAULT NEUTRAL SENSOR
- NTI - NORMAL TRANSFORMER
- ETI - EMERGENCY TRANSFORMER
- NRA - NORMAL AUXILIARY RELAY
- ERA - EMERGENCY AUXILIARY RELAY
- NSA - NORMAL AUXILIARY SWITCH
- ESA - EMERGENCY AUXILIARY SWITCH
- NPRR - NORMAL PHASE ROTATION RELAY
- EPRR - EMERGENCY PHASE ROTATION RELAY
- NK - CUSTOMER NORMAL CONNECTION
- EX - CUSTOMER EMERGENCY CONNECTION
- X - CUSTOMER LOAD CONNECTION
- PX - FEMALE CONNECTOR
- SX - MALE CONNECTOR
- KV (K1) - VOTING RELAY
- FSX - FUSE HOLDER
- TRX - TRANSFORMER
- RLYX - RELAY
- P5X - POWER SUPPLY
- LCA - LOGIC CONTROLLER
- SWX - SWITCH

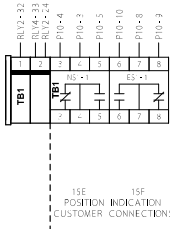
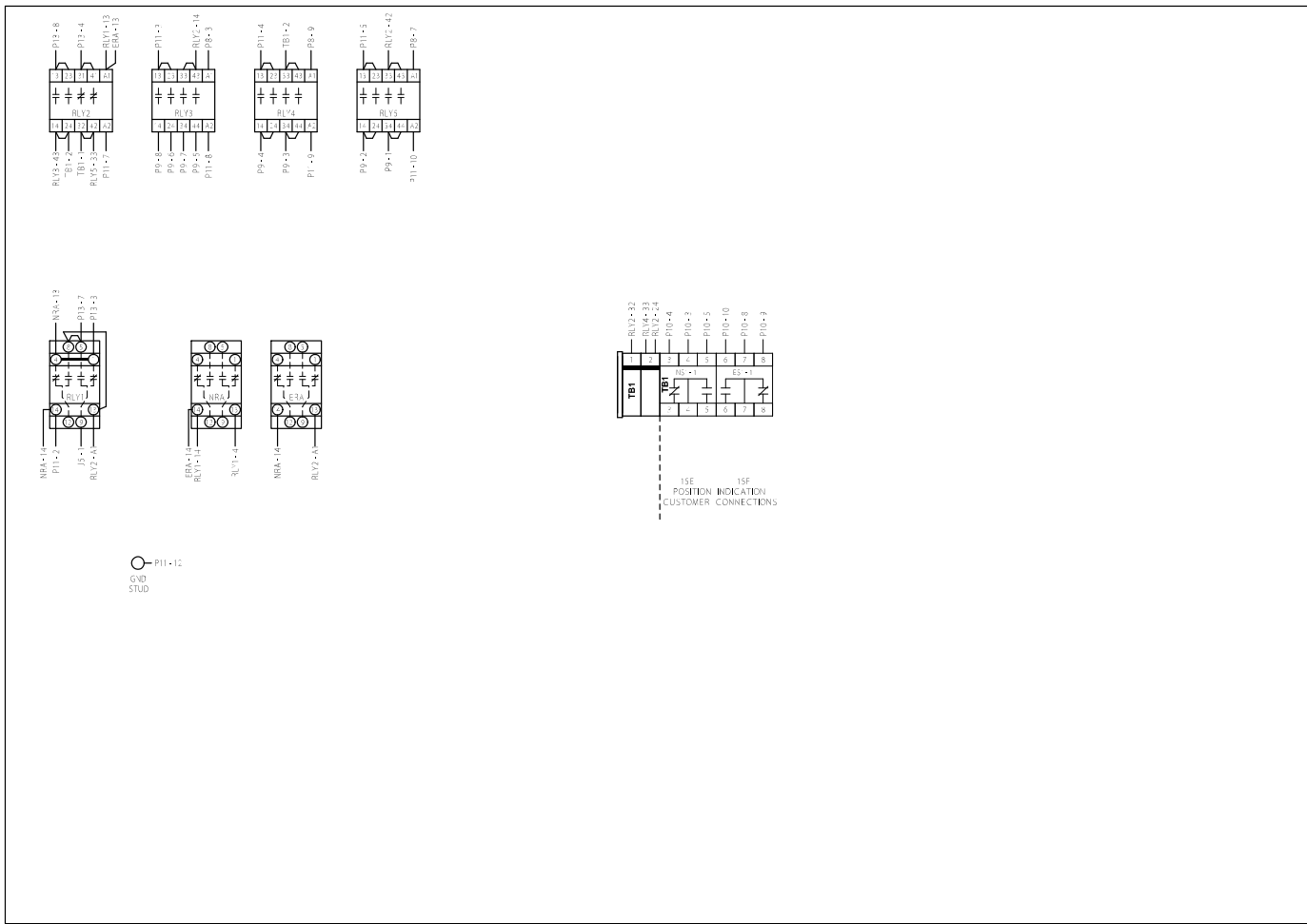
NTI/ETI	
1	11
2	20V
5	300V
4	240V
3	480V
6	70V
7	20V
8	500VAC
7	145V
9	100VAC
10	120V
11	250VAC



DRAWN		DATE	DATE	THE INFORMATION ON THIS DOCUMENT WAS CREATED BY EATON CORPORATION. IT WAS DISCLOSED IN CONFIDENCE AND IS ONLY TO BE USED FOR THE PURPOSE IN WHICH IT WAS SUPPLIED.		
CHARLES MCCLURE		7/7/2017		TITLE		
APPROVED		DATE		FEDERAL ID NO.	S.O.	TYPE
88725				LUP40707X7K1		ATC3CX3060DWJ
PRODUCT CODE		REVISION	DESIGNATION	G.O.	ENIG	SCHEMATIC
AT		1	TS2	-		SHEET 2 OF 6



REFERENCE 8 7 6 5 4 3 2 1	DATE 7/7/2017	THE INFORMATION ON THIS DOCUMENT WAS CREATED BY EATON CORPORATION. IT WAS DISCLOSED IN CONFIDENCE AND IS ONLY TO BE USED FOR THE PURPOSES IN WHICH IT WAS SUPPLIED.	EATON	
	FEDERAL ID NO. 88725	S.O. LUP40707X7K1	TITLE AUTOMATIC OPEN TRANSFER CONTACTOR SWITCH 480V 3 POSITION 40-1200 AMP ATC-300+ CONTROLLER	
	PRODUCT CODE AT	REVISION 1	DESIGNATION TS2	TYPE SCHEMATIC
	G.O. -	ENG TS2 - S2	SHEET 3 OF 6	

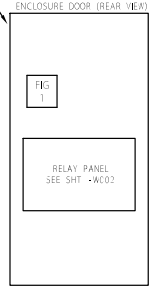
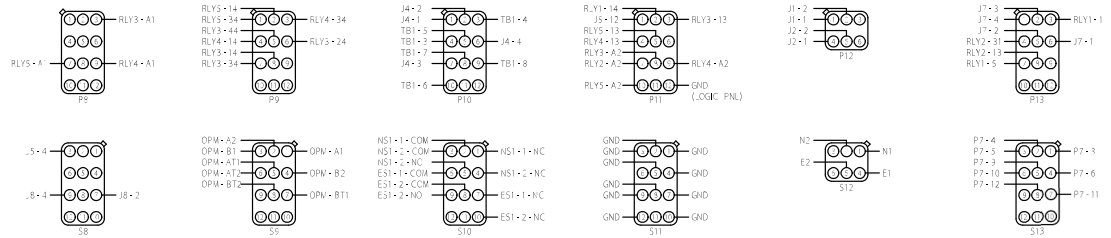
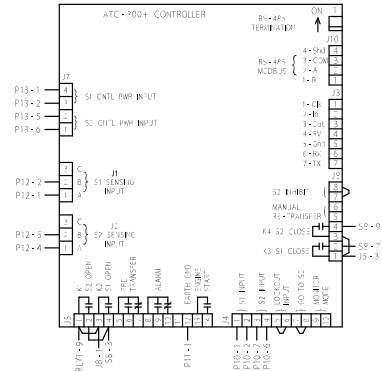


○ P11-12
GND
STUD

REVISION 1 1	DATE		THE INFORMATION ON THIS DOCUMENT WAS CREATED BY EATON CORPORATION. IT WAS DISCLOSED IN CONFIDENCE AND IS ONLY TO BE USED FOR THE PURPOSES IN WHICH IT WAS SUPPLIED.			
	FEDERAL ID NO. 88725		S.O. LUP40707X7K1			TYPE ATC3C5X3060WDU
	PRODUCT CODE AT		REVISION 1			DESIGNATION TS2
	G.O. -		ENG TS2 - W2			DIAGRAM SHEET 5 OF 6

**REFER TO ENCLOSURE DOOR REAR VIEW FOR DEVICE PLACEMENT

**FIG 1



REVISION	DATE	7/7/2017	THE INFORMATION ON THIS DOCUMENT WAS CREATED BY EATON CORPORATION. IT WAS DISCLOSED IN CONFIDENCE AND IS ONLY TO BE USED FOR THE PURPOSES IN WHICH IT WAS SUPPLIED.			
	APPRO	DATE	TITLE AUTOMATIC OPEN TRANSFER CONTACTOR SWITCH 480V 3 POSITION 40-1200 AMP ATC-300+ CONTROLLER			
	FEDERAL ID NO. 88725	S.O.	LUP40707X7K1	TYPE ATC3CX3060DWJ		DIAGRAM
	PRODUCT CODE AT	REVISION 1	DESIGNATION TS2	G.O. -		DWG TS2-W3